

T. H. KROSS  
 3.5.86  
 1.12.87  
 6.1.89  
 7.28.93  
 10.2.96  
 4.8.97  
 1.3.99  
 3.7.03  
 2.12.05  
 8.5.05

ASCHE  
 #1

JURGEN HEINRICH WILHELM ASCHÉ  
SEE CHART #1

M.F. FISCHER

HELENE

d 7/9/1890 ADD.  
G 1/7/1874 ADD.

WILLIAM FRIEDRICH ADDISON (FARMER)

SEE CHART #6 AUGUST GRAUE  
SEE CHART CAROLINE KRAUE

d 4/18/1889 ZION  
G 6/13/1872 ADD.

LOUISE WILHELMINA CAROLINE

m 4/14/1875

d 5/28/1947 E.L. G 4/24/1876 ADD. AUGUST F.  
d 12/17/1946 E.L. G 10/20/1877 ADD. EDWARD E. FRIED. LOUIS  
d 3/7/1879 ADD. MATILDA LOUISE  
d 6/15/1901 G 10/6/1880 ADD. ALBERT WILHELM  
d 2/28/1984 G 1/11/1882 ADD. ADA "ADELE" DOR. CAROLINE  
d 2/19/1972 G 4/15/1884 ADD. WILLIAM E. EDWARD JULIUS  
d 1/21/1966 ST. PAUL G 10/7/1886 ADD. FRANZ LUDWIG  
d 1/11/1972 G 4/1/1889 JULIUS HEIN. FRIED. (WISC.)

SEE CHART #3

FRED SCHWAB  
m 8/28/1911

NEV. EPWIN EDWARD DAVID FIENE  
(SHEW APP. ELM.) m 8/7/1906

SEE CHART #2

RES: 220 OAKLAND

ADOPTION NAME CHANGE RATHJE  
SEE CHART #2

SEE CHART #2 EMILIE OLDENBURG  
EDWARD ROSS  
d 3/29/1941

(FARMER)

KATH. MARIAN JOSEPH CHARLES

IRWIN RITMILLER LILLIAN MATILDE  
d 12/20/1995 G 6/11/1908 ELM.  
m 9/4/1926

SHIRLEY  
G 4/13/1928

MARTIN C. STEBEN  
m 7/27/1913

SEE CHART #3 IDA "LILLIE" EMILY  
MATHILDA  
d 7/7/1967 E.L.  
G 9/18/1892 Y.C.

ADDISON

JERRY ESLER  
d 1978

THOMAS DUFFY SHIRLEY  
d 12/13/1976/1/11/1978/1995 HUS #1

PAUL DUNNING  
HUS #2 HUS #3

FLORENCE ANAUDA  
CHAS. C. KOHLMAN  
G 8/6/1913 CHGO. G 2/20/39

WILHER ED. MARIAN M. HERBERT  
JOHN J. KELLY  
181 COLUMBIA ST.  
m 9/17/1946

NORMAN FRANK  
m 8/2/1936

DOROTHY WYNNE  
d 7/8/1949

EILEEN BRIDGET

DALE LYNN  
SEE CHART #1

m 11/26/1908 ELM.

SEE CHART #1  
ALBERT WILDE  
d 3/18/1901 WF #2

ARNOLD GOTTFRIED  
d 1967 G 8/19/1914 ELM.

ADELA AMANDA  
RUTH SCHULTZ  
d 9/19/1988 E.L. G 4/21/1913 ELM.

MARTHA DORATHA  
THOMAS BIERBROOT  
d 1/13/2003 E.L. G 4/12/1910 ELM.

SAM SCOTT  
BERTHA MATILDA  
HUS #2  
d 8/28/1918 ELM.

PHILIP ZENO  
DOROTHY FRIEDA  
HUS #1  
d 1977 G 2/28/1918 ELM.

IRWIN BIESTERFELD  
ALMA AMANDA  
d 12/29/1987 MT. EMB. G 8/14/1911 ELM.

- T. H. KROSS  
6-1-89  
11-13-89  
4-6-90  
6-8-92  
6-29-94  
4-25-96  
8-2-98  
6-12-99  
6-21-02  
3-7-03  
7-7-03  
7-12-07  
8-11-07  
10-7-07

DONALD A. JANET DAVIDSON  
G 6/18/1944

THOMAS KOTZCH JULIE HERB

ARY SPEK (BURST)  
d 11/31/1982 E.L. G 12/2/1901 HALLAU  
m 9/19/1923

SHIRLEY ANN AUGUST ANDREW ALAN

JANET  
d 8/10/1999 G 4/16/1937

DON HOEPERKAMP  
ART VONWORPER

JOANDE  
G 1/6/1939 ELM.

THOMAS DAVID DENISE DARIN DOREA

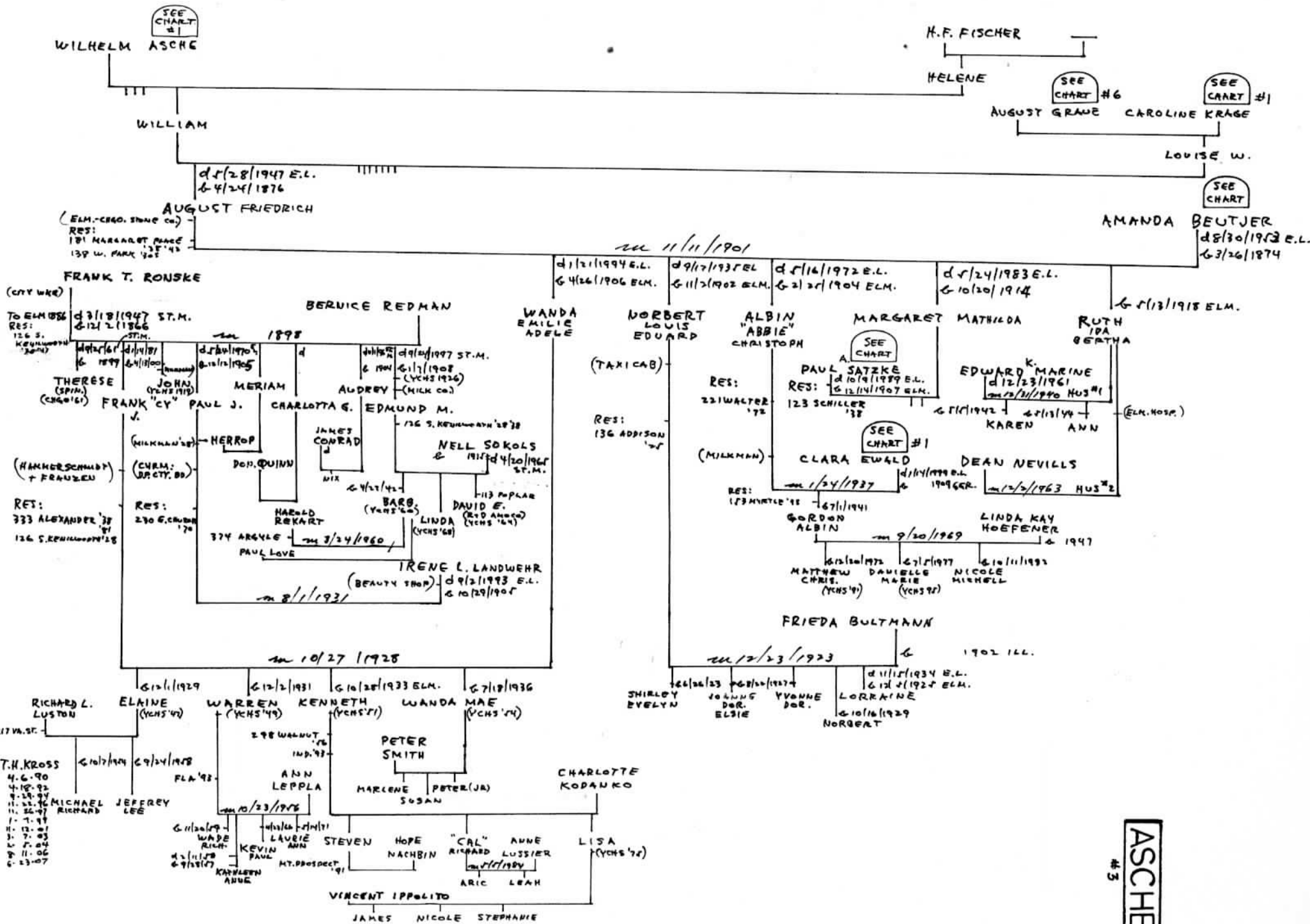
JAMES JULIUS KLAUG  
WAWY BOUD  
HUS #2

DAVID BAKER

RONALD A. JEAN F. YATES  
d 3/29/1994 G 11/23/1933

DAVID RAYLYN

ASCHÉ #2



ASCHÉ  
 #3